



EPILOG LASER

16371 Table Mountain Parkway

Golden, Colorado 80403

Phone 303-215-9171 - FAX 303-277-9669

www.epiloglaser.com

Procedure Title: Replacing the Y-motor assembly

Machine Type: Epilog Mini

Tools Needed: Philips head screw driver
1/16 hex tool

Intro:

This procedure details steps to removing the Y-motor assembly in the Mini/Helix. The Y-motor drives the I-beam forward and backward. Before starting this procedure unplug the power cord from the machine.

Procedure:

1. Remove the right side panel.



2. Remove the front service panel.

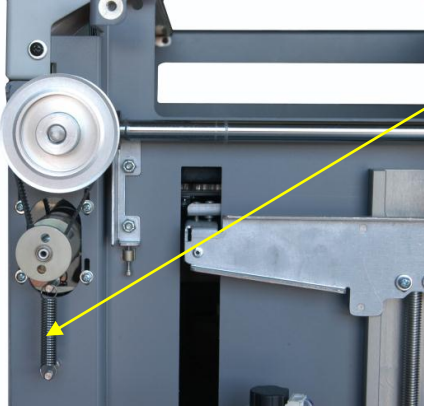


3. Locate the Y-motor.

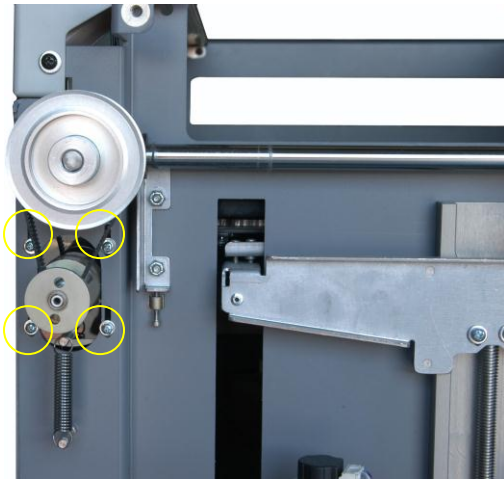


4. Get a feel for how tight the y-motor belt is by squeezing the sides. This will be used as a reference when tightening the belt back up after installing the new assembly.

5. Remove the spring holding the motor. Let the spring hang from the bottom peg.



6. Loosen the four screws holding the motor bracket. With the four screws loosened slip the y-motor belt around and off the large top pulley. Now remove the four Phillip head screws completely.

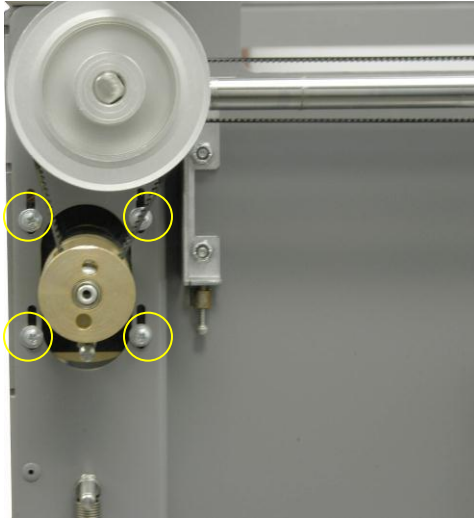


7. Disconnect the motor lead. This connector is in the inside of the machine. Pull the entire assembly out.



Re-Installing the motor

8. Insert the motor assembly into position with the belt pointing up.
9. Loop the y-motor belt over the large y-axis drive pulley.
10. Start threading the four Phillips head screws but do not tighten down all the way.
11. Place the spring back on the upper peg and on the farthest back notch.
12. Pull the motor bracket down and tighten the four screws.



13. Reconnect the motor lead.



14. Replace right side panel
15. Replace front panel.

If you have any questions, please contact Epilog's
Technical Support

Phone 303.215.9171

Fax 303.531.7594

E-Mail tech@epiloglaser.com