

Keyboard and Display removal

- Turn off the machine.
- Disconnect the machine from its power source and secure the cord end.
- Remove the upper right hand side panel from the Fusion as shown in figure 54.

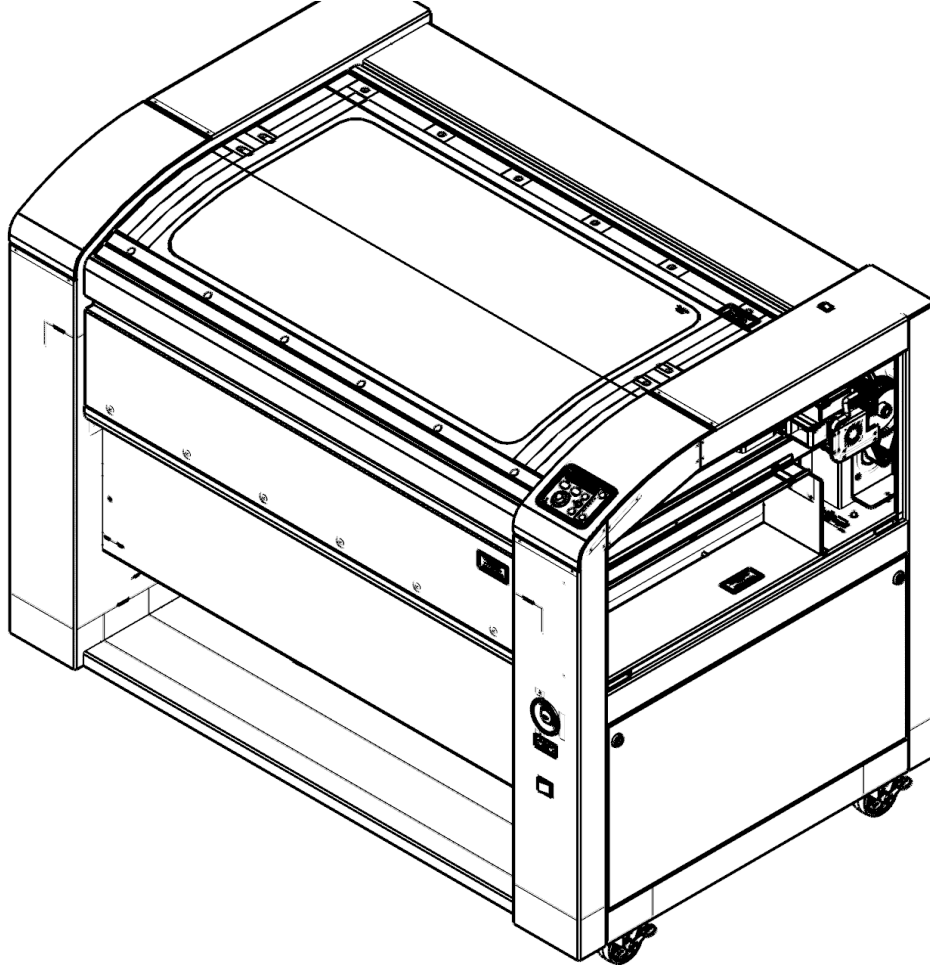


Figure 54

- Disconnect the two power harnesses that are connected to the rear of the Keyboard assembly, shown in figure 55.

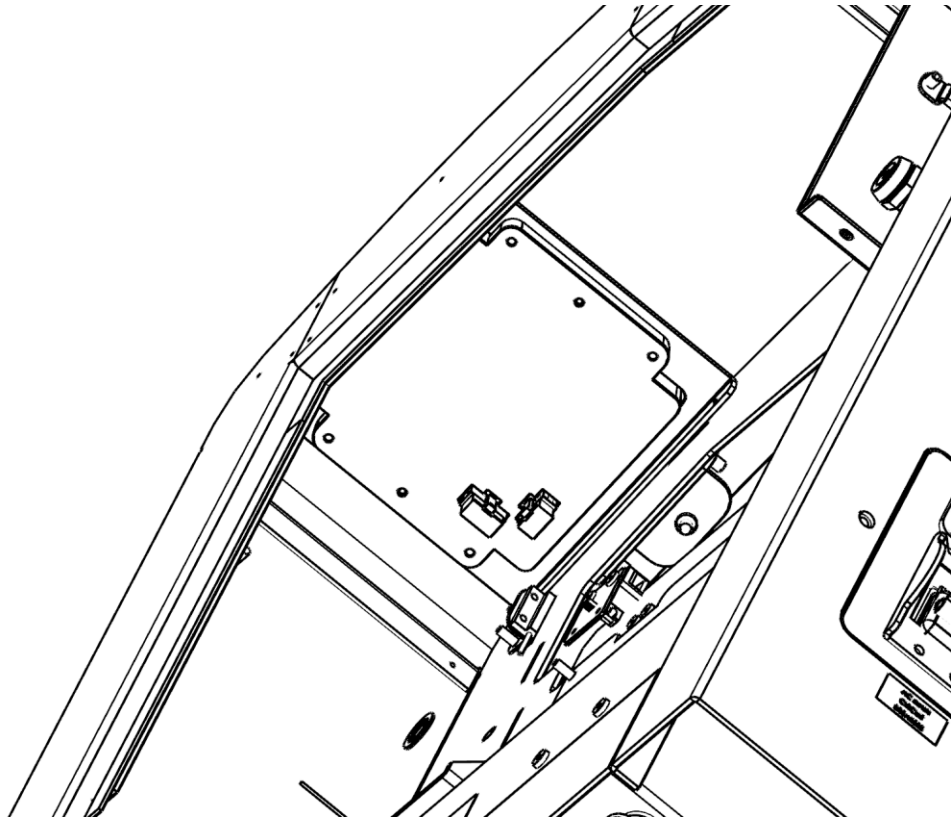


Figure 55

- Remove the four hex screws, figure 56, which secure the display assembly to the chassis.

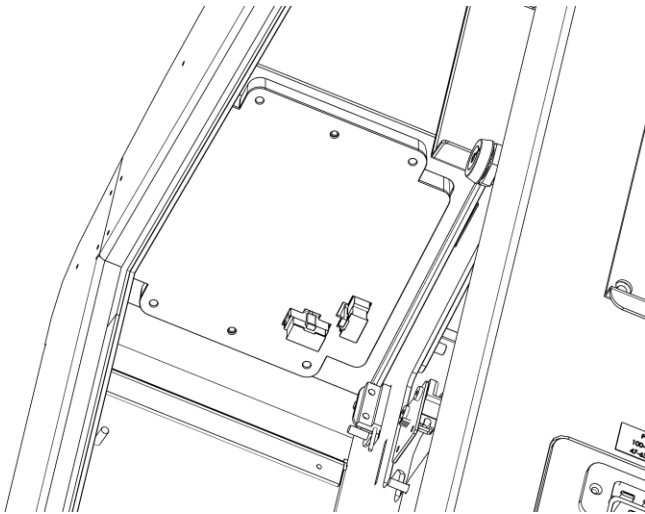


Figure 56

- Remove the display and Keyboard assembly from the machine.

Install the Display and Keyboard assembly in to the opening in the Fusions chassis.

- Install the four mounting screws which secure the display/keyboard to the Fusion, figure 56.
- Connect the two harness connectors which were removed in figure 54.
- Replace the right hand side panel.
- Reconnect the machine to its power source.

